

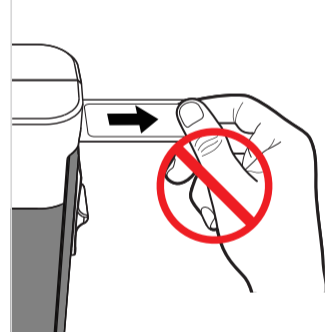
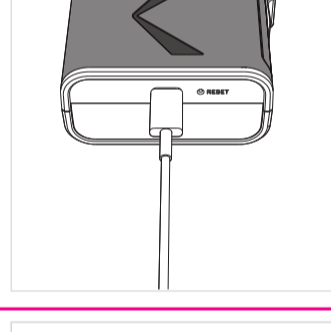
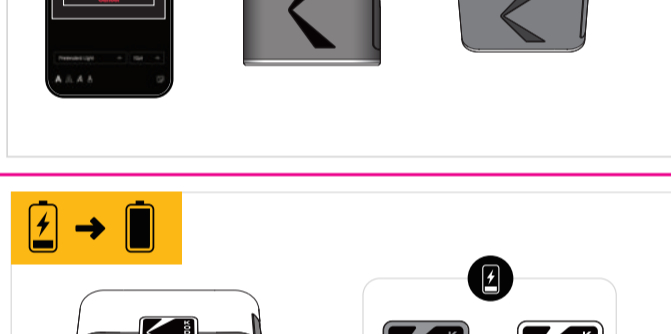
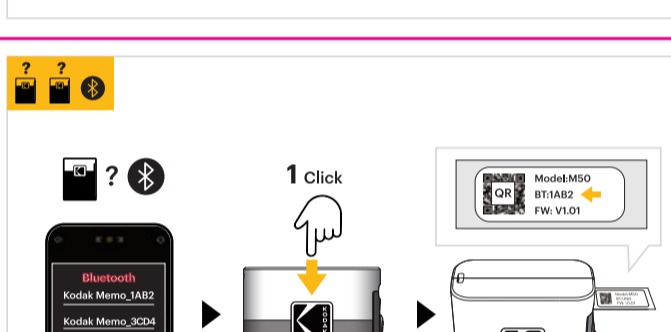
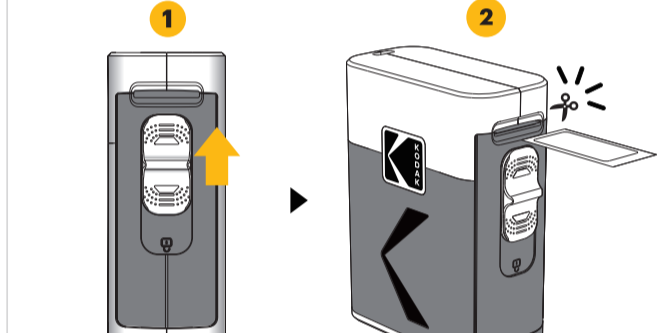
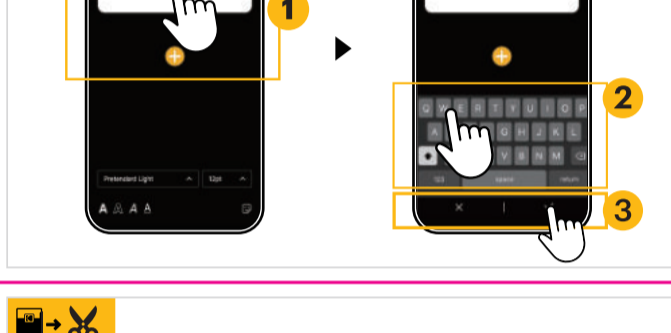
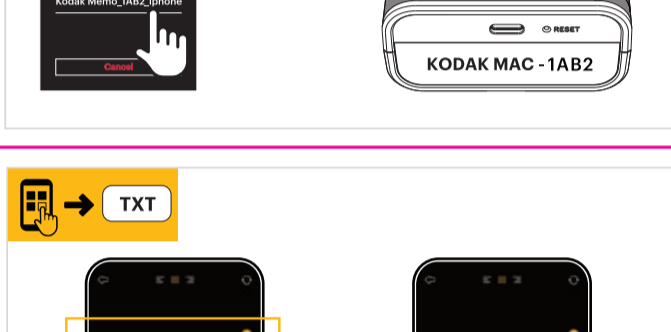
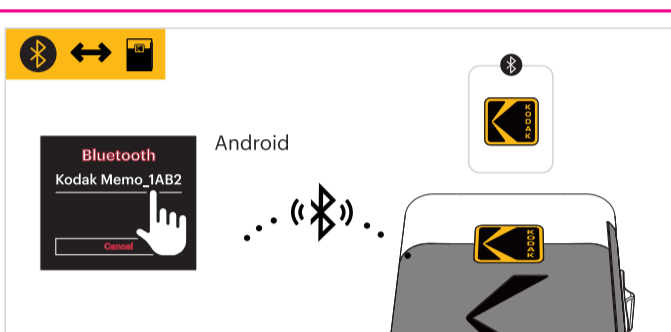
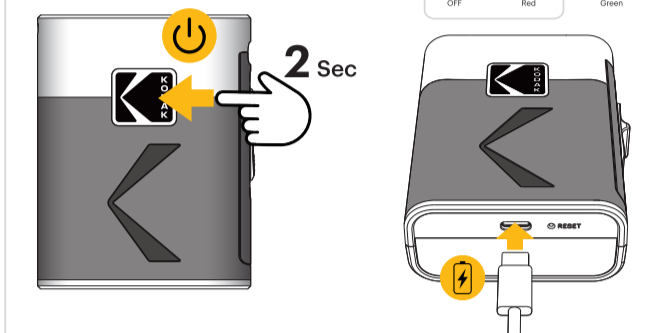
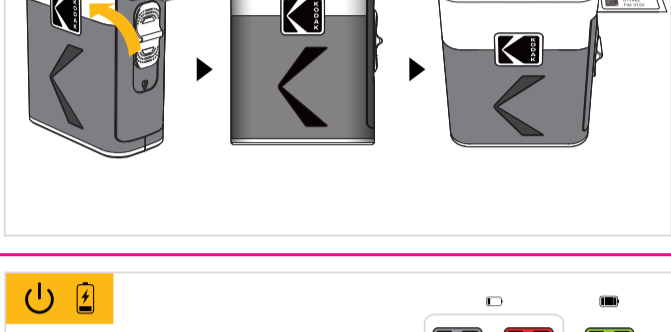
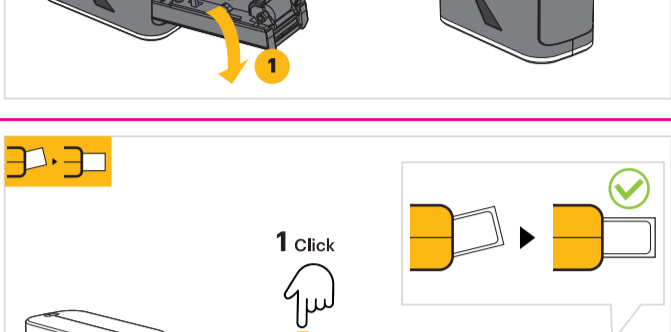
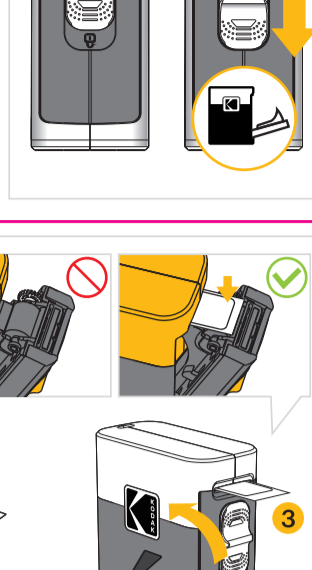
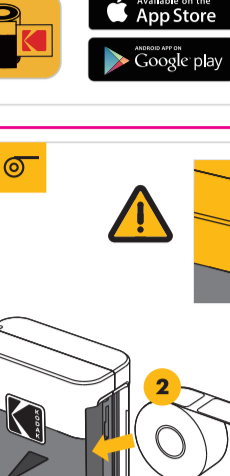


KODAK Label Era Instant Label Printer M50

- User Guide
- Guía del usuario
- Guida dell'utente
- Benutzerhandbuch
- Användarguide
- Brugervejledning
- Guide de l'utilisateur
- Uživatelská příručka
- Uživatelská příručka
- Lietotāja rokasgrāmata
- Podręcznik użytkownika
- Naudotojų gidas
- Kasutusjuhend
- 사용자 설명서
- Käyttöohjeet
- ユーザーガイド
- 単色熱敏即時打印机使用说明书

Available on the App Store
 Available on Google play
 www.kodakphotoprinter.com

APP ↓



- ⚠ 注意!热零部件!打印完成后,请勿直接触摸打印头,以防过热烫伤。
- ⚠ 关闭电源后等待半小时才能接触打印头。
- ⚠ 注意!断纸刀片有尖锐边缘,请小心勿触防止割伤。
- ⚠ 此产品需在成人监护下使用。
- ⚠ 本产品出厂标配不包含电源适配器,若使用电源适配器充电,应购买使用获得CCC认证且满足标准的电源适配器。
- ⚠ 如果换用不正确的型号的电池组会有爆炸的危险。
- ⚠ 请不要将电池投入火中或加热炉中,请勿对电池进行机械挤压或切割进行处置。
- ⚠ 请不要将电池放置在可能导致电池爆炸或泄漏可燃液体或气体的极高温度环境中。
- ⚠ 请不要将电池放置在可能导致电池爆炸或泄漏可燃液体或气体的极低气压中。

“三包”服务政策(中国大陆地区)
 出现人为以外的外观问题或性能故障,享有国家规定的三包服务。
 消费者享受权益之保证:
 • 7日内,可退货,更换或维修;
 • 15日内,可更换或维修;
 • 1年内,可免费维修。



ISED Statement

This device contains licence-exempt transmitter(s)/receiver(s) that comply with Innovation, Science and Economic Development Canada's licence-exempt RSS(s). Operation is subject to the following two conditions:

- This device may not cause interference.
- This device must accept any interference, including interference that may cause undesired operation of the device.

The device has been evaluated to meet general RF exposure requirement. The device can be used in portable exposure condition without restriction.

Le présent appareil est conforme aux CNR d'Industrie Canada applicables aux appareils radio exempts de licence.

L'exploitation est autorisée aux deux conditions suivantes :

- L'appareil ne doit pas produire de brouillage, et
- L'utilisateur de l'appareil doit accepter tout brouillage radioélectrique subi, même si le brouillage est susceptible d'en compromettre le fonctionnement.

L'appareil a été évalué pour répondre aux exigences générales d'exposition aux RF. L'appareil peut être utilisé dans des conditions d'exposition portable sans restriction.

FCC (Federal Communications Commission)

This device complies with part 15 of the FCC Rules. Operation is subject to the following two conditions:

- This device may not cause harmful interference, and
- This device must accept any interference received, including interference that may cause undesired operation.

Caution: Any changes or modifications to the equipment not expressly approved by the party responsible for compliance could void user's authority to operate the equipment.

This appliance and its antenna must not be co-located or operation in conjunction with any other antenna or transmitter. A minimum separation distance of 20cm must be maintained between the antenna and the person for this appliance to satisfy the RF exposure requirements.

Any questions?

In case you need any assistance, please send an email to support@kodakphotoprinter.com.



www.kodakphotoprinter.com
 © 2024 Prinics Co., LTD.

LIMITED ONE YEAR WARRANTY ON KODAK PHOTO PRINTER AND CARTRIDGE

Product	Duration of limited warranty
	Year
Refill Cartridge of KODAK Instant Camera and Printer	Year

Limitation of warranty and liability

To the extent allowed by local law, neither Prinics nor its third-party suppliers makes any other warranty or condition of any kind, whether express, oral, written, statutory or implied warranties or conditions of merchantability, satisfactory quality and fitness for a particular purpose. We disclaim all other warranties, expressed or implied, statutory or otherwise, including without limitation, the warranties of merchantability for a particular purpose. Some states do not allow disclaimers of implied warranties, so this disclaimer may not apply to you. To the extent such warranties cannot be disclaimed under the laws of your jurisdiction. We limit the duration and remedies of such warranties to the duration of this express limited warranty. Our responsibility for defective goods is limited to repair replacement or refund as described below in this warranty statement.

Prinics Co., Ltd("We") may use this warranty. We extend this limited warranty only to the consumer who originally purchased the product ("you"). It does not extend to any subsequent owner or other transferee of the product.

This limited warranty does not cover any damage due to: (a) transportation; (b) storage; (c) improper use; (d) failure to follow the product instructions or to perform any preventive maintenance; (e) modifications; (f) unauthorized repair; (g) normal wear and tear; or (h) external caused such as accidents, abuse, or other actions or events beyond our reasonable control.

Extent of limited warranty

This limited warranty applies to above mentioned products. We warrant that above products specified will be free from defects in materials and workmanship for the duration specified above, which Limited Warranty Period begins on the date of product. If we receive during the applicable warranty period, notice of a defect in any product which is covered by the warranty, we shall either repair or replace the product at our option. We shall have no obligation to repair and replace until the customer returns the defective product to us.

To obtain warranty service, you must contact us by email at support@kodakphotoprinter.com for supports during the warranty period to obtain a defective merchandise authorization ("DMA") number. Please note that customer is responsible for shipping charges for service request. No warranty service will be provided without a DMA number

产品保修卡(主卡)

产品SN码 _____
 客户姓名 _____
 联系方式 _____
 购买日期 _____
 售出终端 _____

报修日期	故障及处理	维修员

产品保修卡(副卡)

产品SN码 _____
 客户姓名 _____
 联系方式 _____
 购买日期 _____
 售出终端 _____

THANK YOU

GRACIAS MERCI VIELEN DANK GRAZIE Dank je
 감사합니다 谢谢 CnaciHo ありがとうございました

If you encounter any issues or have any questions, our customer service team is available 24/7 right by your side.